

Matrox CronosPlus

Ultra low-cost frame grabber for standard analog monochrome or color video acquisition.



Cost cutting video capture solution

Matrox CronosPlus is an entry-level frame grabber for extremely cost sensitive imaging applications. Utilizing a single highly integrated off-the-shelf chip, it delivers exceptional value and performance for standard analog monochrome or color video capture. Featuring simple standard connections, Matrox CronosPlus provides the flexibility for additional cost savings.

Real-time capture to system or display

Matrox CronosPlus can transfer acquired images to either system (host CPU) memory for processing or display (graphics card) memory for video-in-a-window at live video rates.

Video formatting

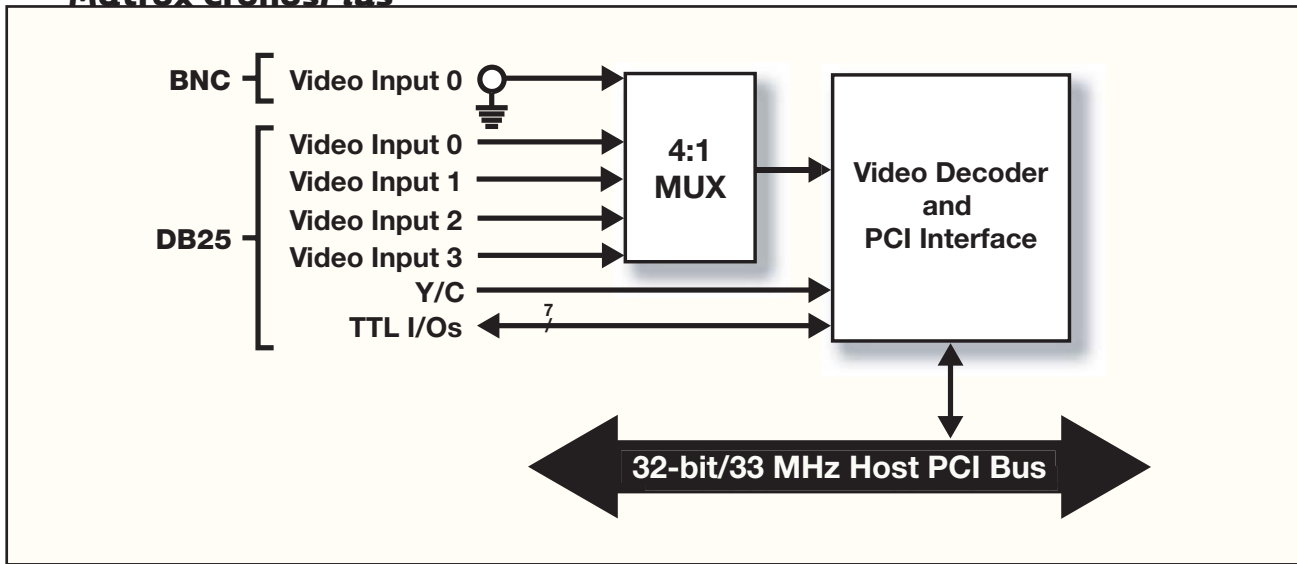
Video images can be formatted in real-time prior to transfer to the host system or display. Formatting features include cropping (ROI capture) arbitrary downscaling and vertical/horizontal flipping.

Software

Software support is available for Microsoft® Windows® 2000 and Windows® XP, and consists of Matrox Imaging Library (MIL)/ActiveMIL or MIL-Lite/ActiveMIL-Lite development toolkits for creating custom applications.

Key features

- ▶ video capture board for PCI form factor
- ▶ captures from NTSC, PAL, RS-170 and CCIR video sources
- ▶ connect up to 4 CVBS or 1 Y/C input(s)
- ▶ trigger input
- ▶ 7 TTL auxiliary I/Os¹
- ▶ 32-bit/33MHz PCI-bus master
- ▶ available software is sold separately and includes Matrox Imaging Library (MIL)/ActiveMIL and MIL-Lite/ActiveMIL-Lite
- ▶ support for Microsoft® Windows® 2000 and Windows® XP



Specifications
Acquisition

- analog composite (CVBS) or Y/C NTSC/PAL
- analog RS-170/CCIR
- automatic gain control (AGC)
- BGR32 packed, RGB24 packed, YUV422 packed and MONO8 pixel formats
- Opto trigger input (sync. to video)
- 7 TTL auxiliary inputs and outputs¹
- connect up to 4 CVBS or 1 Y/C

Formatting

- input cropping (ROI capture)
- vertical/horizontal flip
- arbitrary downscaling to 1/64th of a field

Host interface

- 32-bit/33 MHz PCI bus master
- interrupts for start and end of field, frame, and sequence capture
- universal 32-bit card edge connector

Connectors

- 1 BNC connector for composite video input
- DB25 for TTL I/Os, 4 composite video inputs, Y/C input and trigger

Dimensions and environmental information

- 3.8 cm L x 9.1 cm H (5.4" x 3.6")²
- operating temperature: 0° C to 55° C (32° F to 131° F)
- relative humidity: up to 95% (non-condensing)
- FCC/CE class B

Software Environment

- drivers for Microsoft® Windows® 2000 and XP
- programmed using DLL interface (MIL/MIL-Lite) with Microsoft® Visual C++®
- programmed using ActiveX (OCX) interface (ActiveMIL/ActiveMIL-Lite) with Microsoft® Visual Basic® or C++®
- support for multiple boards

Ordering Information

Part number	Description
Hardware CRONOSPLUS	Standard analog color/ monochrome frame grabber
Ordered separately:	
Software MIL LITE 7	MIL-Lite board control library (see MIL-Lite brochure for more details).
MIL 7 DEV P or U	Matrox Imaging Library (MIL) (see MIL brochure for more details).

Notes:

1. Three inputs and four outputs.
2. Dimensions from bottom edge of goldfinger to top edge of board.



For more information, please call: 1-800-804-6243 (toll free in North America) or (514) 822-6020
or e-mail: imaging.info@matrox.com or <http://www.matrox.com/imaging>

Corporate headquarters:

Canada and U.S.A.
Matrox Electronic Systems Ltd.
1055 St. Regis Blvd.
Dorval, Quebec H9P 2T4
Canada
Tel: (514) 685-2630
Fax: (514) 822-6273

Offices:

Europe, Middle East & Africa
Matrox VITE Limited
Sefton Park
Stoke Poges
Buckinghamshire
SL2 4JS
UK
Tel: 01753 665511
Fax: 01753 665599

France
Matrox France SARL
2, rue de la Couture
Silic 225
94528 Rungis Cedex
Tel: (0) 1 45-60-62-00
Fax: (0) 1 45-60-62-05

Germany
Matrox Electronic Systems GmbH
Inselkammerstr. 8
D-82008 Unterhaching
Tel: 089/62170-0
Fax: 089/614 9743

All trademarks by their respective owners are hereby acknowledged. Matrox Electronic Systems, Ltd. reserves the right to make changes in specifications at any time and without notice. The information furnished by Matrox Electronic Systems, Ltd. is believed to be accurate and reliable. However, no responsibility license is granted under any patents or patent rights of Matrox Electronic Systems, Ltd. Windows and Microsoft are trademarks of Microsoft Corporation. MMX and the MMX logo are registered trademarks of Intel Corporation. Printed in Canada, 31-01-2003. **51E-5292-D**